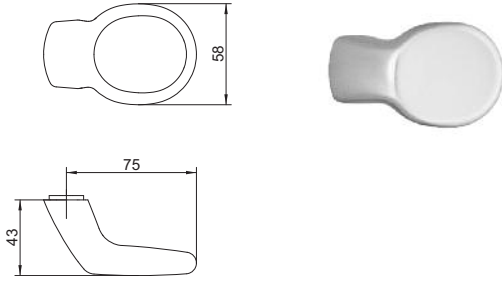
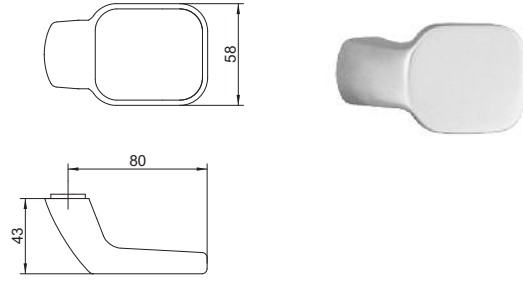


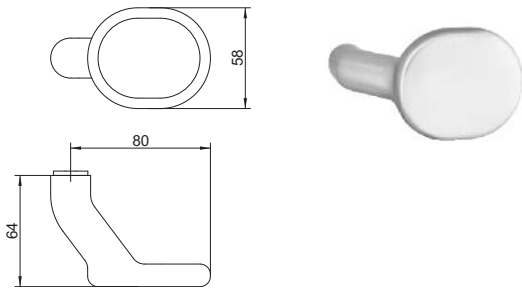
G1



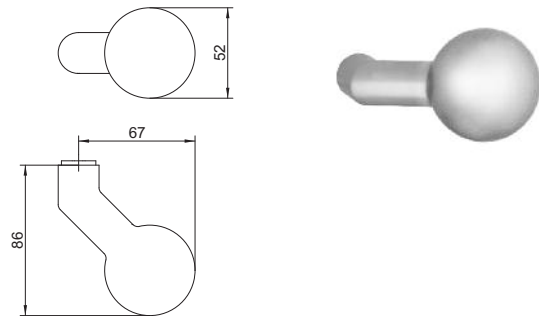
G2



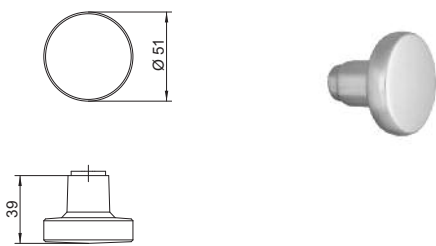
G3



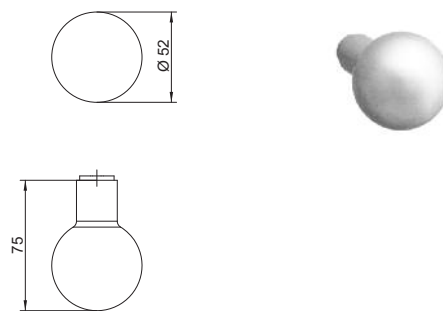
G4



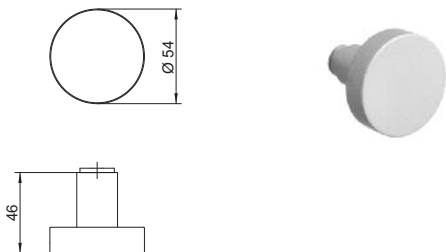
G5



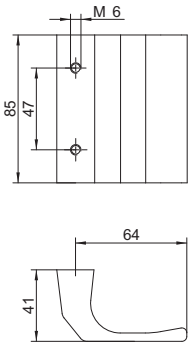
G6



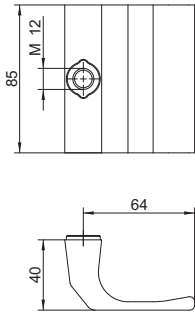
G7



L1

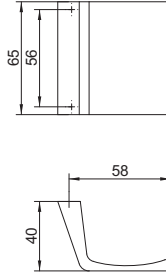


L4

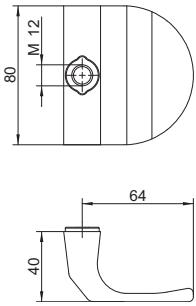


L4 differs from L1 with the method for assembling the plate

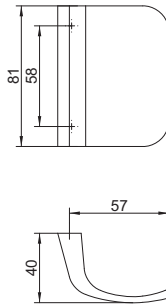
L2



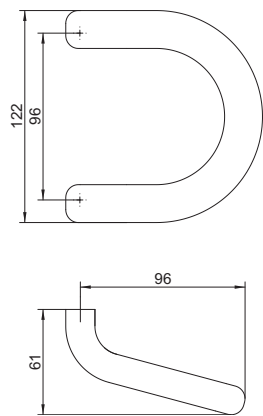
L3



L7



P



V

